





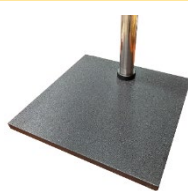
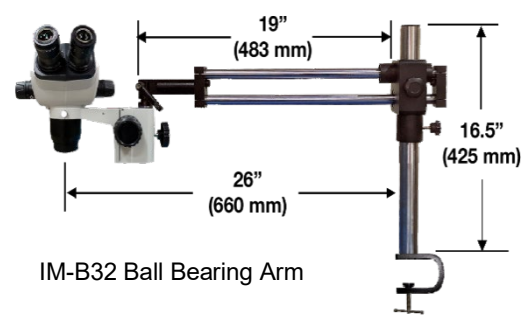
Stereo Microscope	I-22	I-65	I-68	I-68TR
				
Category	Affordable solution with solid construction	Ideal for inspection, assembly, and measurements	High resolution optics with comfortable observation	High resolution optics with simultaneous view Trinocular
Zoom Ratio	6.5:1	6.5:1	6.8:1	6.8:1
Zooming Range 10x Eyepiece	7 – 45x	7 - 45x	7 - 47x	7 - 47x
Eyepiece	SWF10x / 20 mm	SWF10x / 22 mm	SWF10x / 23 mm	SWF10x / 23 mm
Distance Adjustment	2" - 3" (55 - 75 mm)	2" - 3" (50 - 75 mm)	2" - 3" (50 - 75 mm)	2" - 3" (50 - 75 mm)
Viewing Head	Eyepiece inclination: 45°	Eyepiece inclination: 40°	Eyepiece inclination: 35°	Eyepiece inclination: 35°
Working Distance 1X Lens	4.25" (108 mm)	4.25" (108 mm)	4.25" (108 mm)	4.25" (108 mm)
Working Distance 0.5X Lens	6" (156 mm)	7.25" (184 mm)	7.25" (184 mm)	7.25" (184 mm)
Included accessories	* 0.5 mm lens * IM-A32 arm * 144 LED Ring Light * Focus block FM-32-76	* 0.5 mm lens * IM-A32 arm * 144 LED Ring Light * Focus block FM-32-76	* 0.5 mm lens * IM-A32 arm * 144 LED Ring Light * Focus block FM-32-76	* 0.5 mm lens * IM-A32 arm * 144 LED Ring Light * Focus block FM-32-76

Optional Accessories

Model	IM-32A
Hanging Bar	1-1/4" (32 MM Dia.)
Horizontal Extension	33" (838 MM)
Vertical Extension	23" (590 MM)
Movement	Gas Spring
Construction	Aluminum & Steel
Table Clamp Clearance	2" (54 MM)
Stow Area	4"x17"
IM-32 Articulating Arm	
IM-B32 Ball Bearing Arm	
FM 32-84 & FM 32-76 Focus Block	
LED Ring	
IM-32BD Bolt Down Base mount	
IM-32B Table Stand	



LED Ring



IM-32B Base Stand



IM-32BD Bolt Down