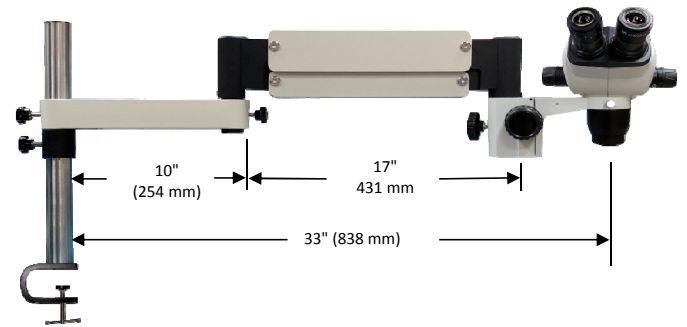
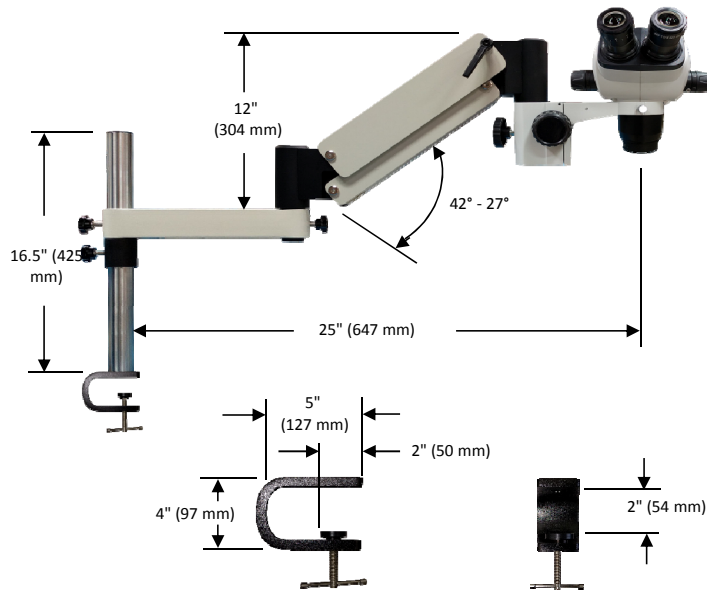
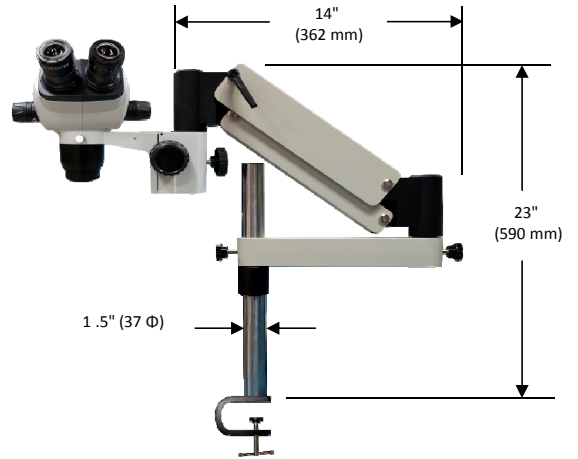


## Articulating Arm

Specifications	
<b>Model</b>	IM-A32
<b>horizontal extension</b>	33" (838 mm)
<b>Vertical extension</b>	23" (590 mm)
<b>Movement</b>	Gas spring
<b>Construction</b>	Aluminum, steel
<b>Table clamp clearance</b>	2" (54 mm)
<b>Stow area</b>	4" x 17"
<b>Focus mount bar</b>	1-1/4" (Φ32 mm)



Model IM-A32 shown with I-68 microscope

## Focusing Mounts

Specifications		
<b>Model</b>	FM-32-84	FM-32-76
<b>Mount diameter</b>	1-1/4" (Φ32 mm)	1-1/4" (Φ32 mm)
<b>Head ring mount diameter</b>	3-1/4" (Φ84mm)	3" (Φ76 mm)
<b>Compatible microscope</b>	I-23	I-22 / I-65 / I-68

